

Overview

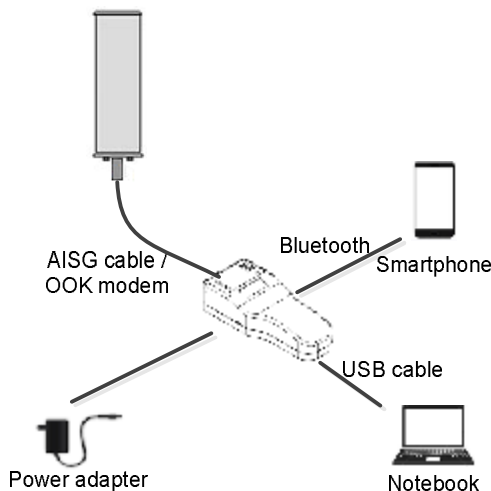
P+ is a portable control unit that allows users to access AISG devices such as RET or TMA.

Users can easily manage and configure AISG devices by connecting the unit to a smartphone via Bluetooth or to a PC via USB cable and using an AISG cable to connect to the AISG devices.

It's truly a site engineer's must-have tool during the RET antenna installation & troubleshooting!



System Diagram



Key Features

- Compliant with AISG 1.1, v2.0, 3GPP
- Convenient battery powered
- DC power input
- Lower power consumption and fast boot
- Compact size and rugged construction
- Easy to connect to smartphone
- One-button control App, friendly UI
- Support Android and iOS devices
- Support Windows platform

Specifications

RET/TMA Functions	
Protocol to RET and TMA	AISG 1.1, AISG v2.0, 3GPP
AISG Connector	AISG female connector
AISG Modem port	SMA female connector
Wireless Connection	Bluetooth 4.0 BLE
Micro USB	PC connection, DC power input
Operation	
Supported Device	Android 4.3, iOS 8 or above
Software for PC	Window XP, Vista, Win 7 / 8 / 10
LED and Switch	Link, Tx/Rx, CHG, EOC, battery level, power ON/OFF

Device Electrical	
Power to AISG devices	DC24 V/ max.0.5 A, max.12W
Internal Battery	DC 3.6V / 2200mAh
Battery Cycle	600 charge cycle
Power Input	DC12V / 1.5 A adapter
Devices Connecting	Up to 3 RET or 1 TMA
Characteristics	
Temperature Range	0°C to 55°C
Dimensions	150 mm x 60 mm x 35 mm
Weight	0.25 kg